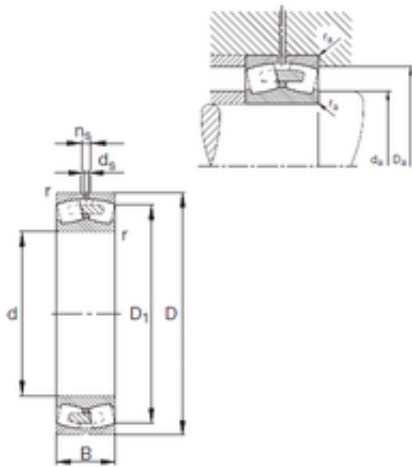




CONSOLIDATED BEARING trading LTD

340 mm x 520 mm x 133 mm FAG 23068-E1A-MB1 Roller Bearings



Bearing No. 23068-E1A-MB1

Size	340x520x133 mm
Bore Diameter	340 mm
Outer Diameter	520 mm
Width	133 mm
d	340 mm
D	520 mm
B	133 mm
C	133 mm
n	23,5 mm
r min.	5 mm
D1	467,1 mm
da min.	358 mm
Da max.	502 mm
ra max.	4 mm
d5	12,5 r/min
Weight	102 Kg
Basic dynamic load rating (C)	2700 kN
Basic static load rating (C0)	4400 kN
Fatigue load limit (Pu)	365
Reference speed	860 r/min
Limiting speed	1 540 r/min
Calculation factor (e)	0,23
Calculation factor (Y0)	2,86
Calculation factor (Y1)	2,92
Calculation factor (Y2)	4,35

23068-E1A-MB1 Bearing 2D drawings and 3D CAD models



CONSOLIDATED BEARING trading LTD